



# CX20672 HD Audio Codec with 2W Class-D, Capless HP, Retasking, and SPDIF Out

## Features

- ◆ 2 pairs of independent DACs and 3 pairs of independent ADCs
- ◆ Sampling rates include 16-bit, 44.1 kHz to 24-bit, 192 kHz for DACs, and from 16-bit, 44.1 kHz to 24-bit; 96 kHz for ADCs.
- ◆ Integrated 2 WRMS (per channel) Class-D stereo speaker amplifier
- ◆ Capless headphone eliminates BOM
- ◆ Two retaskable ports
- ◆ Stereo Digital Microphone interface
- ◆ Integrated boost for all microphones
- ◆ One independent SPDIF output
- ◆ Integrated regulators maximize performance
- ◆ Record Security Control
- ◆ Integrated headphone limiter (GS Mark)
- ◆ D-Flex Power Management
- ◆ Wake on PC BEEP
- ◆ PopShield eliminates pops and clicks
- ◆ Fidelity exceeds Microsoft WHCK requirements
- ◆ Jack sense detects up to 4 jacks
- ◆ Digital Mixer
- ◆ Compliant with all Intel High Definition Audio Specifications
- ◆ Selectable 1.5V/3.3 V link signaling
- ◆ Available in 40-QFN package

## Software

- ◆ SmartAudio GUI
- ◆ Voice Processing Algorithms include end-to-end Noise Reduction, multi-band AEC, Beam Forming, and Far Field Pickup
- ◆ 10 band Speaker EQ and DRC
- ◆ 3D Expander
- ◆ Third-party software support includes Andrea, Creative Labs, Dolby, Fortemedia, Waves MaxxAudio, SRS, and DTS
- ◆ Supports 32-bit/64-bit Windows/Linux

## Applications

- ◆ Notebooks and Ultrabooks
- ◆ All In One PCs
- ◆ Point Of Sale Systems
- ◆ Embedded Audio

## Overview

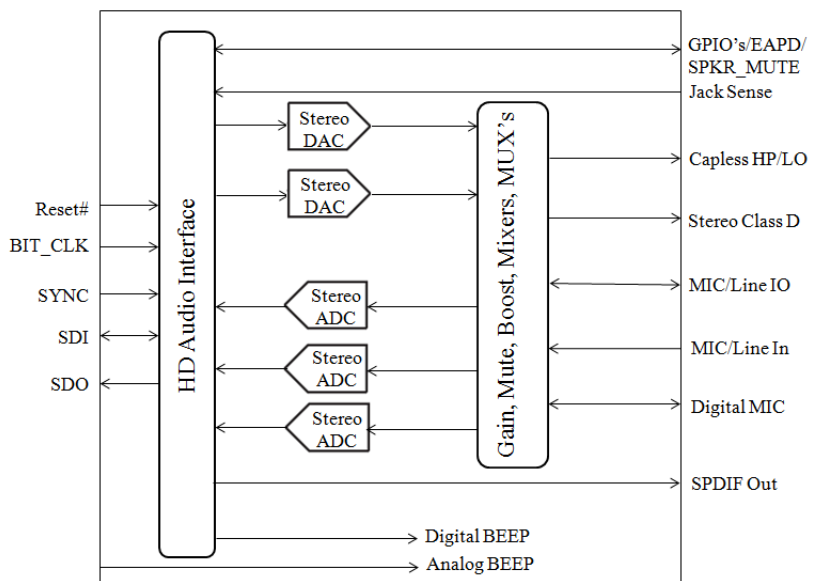
Conexant's CX20672 is a low-power, 102 dB SNR HD Audio codec with integrated 2-WRMS stereo Class-D using Spread Spectrum dispersion technology to prevent EMI. Two independent pairs of DACs and three independent pairs of ADCs support multi-Streaming and Real Time Communications applications. The audio fidelity of the device exceeds Microsoft Premium Logo requirements.

A ProCoustic capless headphone driver delivers 31 mW per channel into 32 Ω loads and eliminates external DC blocking capacitors. Two retaskable ports are available allowing Microphone/Line in and Microphone/Line In/Line Out retasking. All output ports feature PopShield technology that eliminates pops and clicks.

The codec features a stereo digital microphone interface that includes a hardware DC-level filter to remove DC offset and provides the clock output. One independent SPDIF output is available supporting sample rates up to 96 kHz, 16-24-bit resolution. Multiple GPIO's are provided, including speaker mute and EAPD functions.

Integrated 5 V to 3.3 V and 3.3 V to 1.8 V Low Dropout (LDO) regulators guarantee high performance analog audio and clean power to internal digital blocks. Conexant's D-Flex power management allows the system to exceed the power savings specified in the Intel ECR 15B. The internal Wake-on-BEEP logic resumes the analog paths for the PC BEEP to the output ports.

## Block Diagram



**Part Number CX20672**

**Description Low-Power Codec SoC**

## Analog Performance Characteristics

Parameter	Minimum	Typical	Maximum	Units
<b>Line Outputs</b>				
Full Scale Output Voltage	1.0			Vrms
Dynamic Range (measured with -60 dBFS signal present)		97		dBFS
Total Harmonic Distortion + Noise (THD + N), measured at -3 dBFS		-90	-93	dB
Channel Crosstalk		-84		dBFS
Analog Frequency Response (+/- 3 dB at 20 Hz, +/- 1 dB at 20000 Hz)	20		20000	Hz
<b>Headphone Output</b>				
Full Scale Output Voltage		1.0		Vrms
Dynamic Range (measured with -60 dBFS signal present)		97		dBFS
Total Harmonic Distortion + Noise (THD + N), measured at -3 dBFS		-85		dB
Channel Crosstalk		-75		dBFS
Analog Frequency Response (+/- 3 dB at 20 Hz, +/- 1 dB at 20000 Hz)	20		20000	Hz
<b>Class-D Speaker Amplifier Outputs</b>				
Full Scale Output Voltage (into 4 $\Omega$ )	2.83	2.90	3	Vrms
Dynamic Range (measured with -60 dBFS signal present)		92		dBFS
Total Harmonic Distortion + Noise (THD + N, measured at -3 dBFS)		-70		dBFS
Analog Frequency Response (+/- 3 dB at 20 Hz, +/- 1 dB at 20000 Hz)	20		20000	Hz
Efficiency (Measured at 1 W/Ch)		85		%
<b>Line Inputs</b>				
Full Scale Input Voltage	1.0			Vrms
Dynamic Range (measured with -60 dBFS signal present)		89		dBFS
Total Harmonic Distortion + Noise (THD + N), measured at -3 dBFS		-87		dB
Channel Crosstalk		-84		dBFS
Analog Frequency Response (+/- 3 dB at 200 Hz, +/- 1 dB at 20000 Hz)	200		20000	Hz
<b>Microphone Inputs</b>				
Full Scale Input Voltage (With 20 dB boost)	0.1			Vrms
Full Scale Input Voltage (With boost off)	1.0			Vrms
Dynamic Range (measured with -60 dBFS signal present)		89		dBFS
Total Harmonic Distortion + Noise (THD + N), measured at -3 dBFS		-83.4		dBFS
Channel Crosstalk (measured at 1 kHz, 0 dB gain)		-84		dBFS
Analog Frequency Response (+/- 3 dB at 200 Hz, +/- 1 dB at 20000 Hz)	200		20000	Hz

## Ordering Information

Model/Order/Part Numbers			Audio Codec Package Type	Supported Functions	
Device Set Order Number	Audio Codec Part Number	Codec Revision		Number of DACs/ADCs	Digital Mic
CX20672-21Z	CX20672	-21Z	40-QFN	4/6	2

© 2012 Conexant Systems, Inc. All Rights Reserved. Conexant and the Conexant logo are registered trademarks of Conexant Systems, Inc. All other trademarks are owned by their respective owners. Although Conexant strives for accuracy in all its publications, this material may contain errors or omissions and is subject to change without notice. **THIS MATERIAL IS PROVIDED AS IS AND WITHOUT ANY EXPRESS OR IMPLIED WARRANTIES, INCLUDING MERCHANTABILITY, FITNESS FOR A PARTICULAR PURPOSE AND NON-INFRINGEMENT.** Conexant shall not be liable for any special, indirect, incidental or consequential damages as a result of its use.

[www.conexant.com](http://www.conexant.com)  
 General Information:  
 U.S. and Canada: (888) 855-4562  
 International: 1+ (949) 483-3000  
 Headquarters  
 4000 MacArthur Blvd.  
 Newport Beach, CA 92660  
 Doc# PBR-203096

